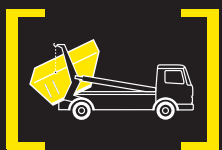


SKIPLOADER M8 - M18 (T)

PALFINGER PALIFT



**PALFINGER CONTAINER HANDLING EQUIPMENT
– FOR EFFICIENT TRANSPORTATION**



THE PALIFT SKIPLOADER: AT HOME IN YOUR APPLICATION

The PALIFT Skiploader range offers the ideal weight-to-capacity ratio to optimize the efficiency of your truck. The telescopic Skiploader offers you more possibilities in skip sizes and positioning. 3 types of control systems (optional) provide you with easy and safe operation. Low transport height, long outreach and power reserve guarantee that you will get the greatest possible use out of your truck. The PALIFT Skiploader is a member of the huge PALFINGER product family and is designed and produced to meet PALFINGER quality standards.



COMFORT AND SAFETY



Ergonomic cab control



Outside control



Radio Remote control



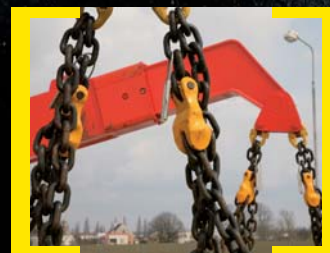
Foot plate stabilizer



Roller stabilizer



Articulated pad stabilizer



Lifting chains with shortener



Tipping chains



2 tipping hooks



Tipping hook with safety latch



Piston rod protection



Container stops



OPTIONS LIST SKIPLOADER	M8/M10	M8T/M10T	M12/M14	M12T/M14T	M16T	M18T
Long arms	●	●	●	●	●	●
Short arms	-	-	-	○	○	○
Independent rear foot stabilizer	●	●	●	●	●	●
Independent rear roller stabilizer	○	○	○	○	○	○
Independent articulated pad stabilizer	○	○	○	○	○	○
Cab control magnetic fixation	●	●	●	●	●	●
Progressive control	●	●	●	●	●	●
Incab control	○	○	○	○	○	○
External control	●	●	●	●	●	●
Remote control	○	○	○	○	○	○
Emergency stop	○	○	○	○	○	○
Simultaneous movement of telescopic arms	-	●	-	●	●	●
CE kit	●	●	●	●	●	●
Working light	○	○	○	○	○	○
Rapid motion	○	○	○	○	○	○
Slow motion	●	●	●	●	●	●
Fixed underride protection (GVW 13 - 32T)	○	○	○	○	○	○
Load-holding valve	●	●	●	●	●	●
Board electric 24V	●	●	●	●	●	●
PTO check light (cab control)	●	●	●	●	●	●
Long-life bushes	●	●	●	●	●	●
Head Bord	○	○	○	○	○	○
Head Bord - Low version	○	○	○	○	○	○
Tipping chains	○	○	○	○	○	○
Removable top beam	○	○	○	○	○	○
Chain shortener	○	○	○	○	○	○
Pulling chain	○	○	○	○	○	○
Tipping hook	○	○	○	○	○	○
Fixing chain with security shackle	○	○	○	○	○	○
Tail light protection	●	●	●	●	●	●
Container stops	●	●	●	●	●	●
Climbing supports	●	●	●	●	●	●
Transport fixation for chains	●	●	●	●	●	●
Prepared for hookloader loading	-	-	○	○	-	-

● Standard ○ Option - Not Available



Our wide range of options guarantees the vehicle's optimal use for your application. Shorter arms are also available for more flexibility within cities. Skiploaders on hookloaders are possible, as well.

PALIFT – YOUR PARTNER AROUND THE WORLD



A wealth of applications



Tipping without limits

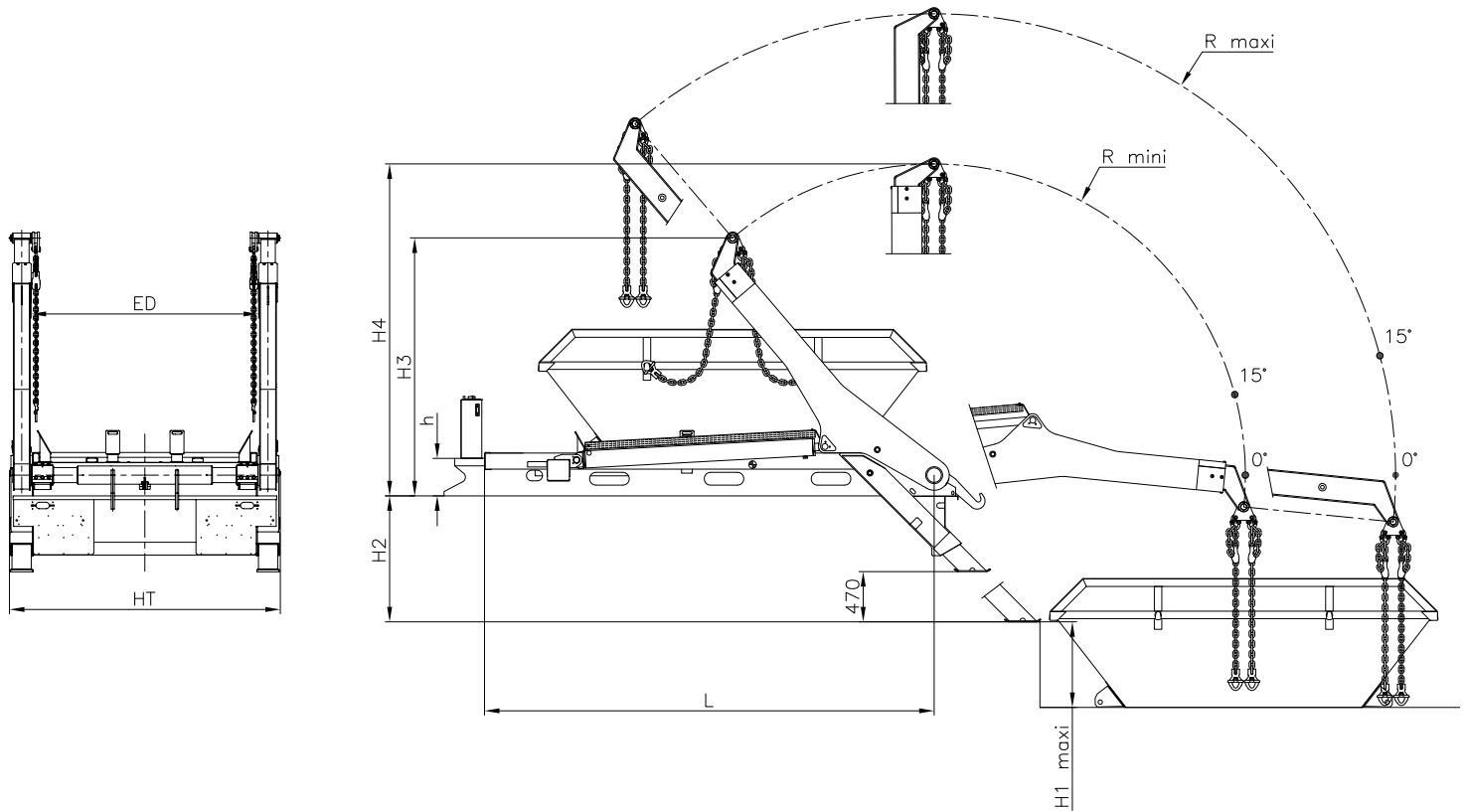


Stacked containers



Skiploder on hookloader

PALIFT – YOUR RELIABLE PARTNER



Typ	Cap.15°(t)		Cap.0°(t)		L (mm)	h (mm)	R mini (mm)	R maxi (mm)	H1 maxi (mm)	H2 (mm)	H3 (mm)	H4 (mm)	HT (mm)	ED (mm)	Weight (kg)
	arm in	arm out	arm in	arm out											
M8	8	–	6	–	3600-4400	250	2600	2600	600	850-1050	2168	2783	2410	2096	1950
M8T	8	5	6	3	3600-4400	250	2400	3501	600	850-1050	2010	2327	2410	2080	2150
M10	10	–	7	–	3600-4400	250	2600	2600	600	850-1050	2168	2783	2410	2096	2050
M10T	10	7	7	4	3600-4400	250	2400	3501	600	850-1050	2010	2327	2410	2080	2250
M12	12	–	8	–	3800-4600	310	3000	3000	800	960-1200	2502	3211	2530	2145	2450
M12TS	12	7	8	5	3800-4600	310	2607	3810	800	960-1200	2202	2819	2530	2125	2730
M12T	12	7	8	5	3800-4600	310	2907	4310	800	960-1200	2431	3119	2530	2125	2750
M14	14	–	10	–	3800-4600	310	3000	3000	800	960-1200	2502	3211	2530	2145	2550
M14TS	14	9	10	6	3800-4600	310	2607	3810	800	960-1200	2202	2819	2530	2125	2830
M14T	14	9	10	6	3800-4600	310	2907	4310	800	960-1200	2431	3119	2530	2125	2850
M16TS	16	10	12	8	4800-5600	310	2607	3810	800	1000-1200	2207	2824	2530	2125	3020
M16T	16	10	12	8	4800-5600	310	2907	4310	800	1000-1200	2436	3124	2530	2125	3050
M18TS	18	11	14	9	4800-5600	310	2607	3810	800	1000-1200	2207	2824	2530	2125	3130
M18T	18	11	14	9	4800-5600	310	2907	4310	800	1000-1200	2436	3124	2530	2125	3150

With over 40 years experience in container handling systems our company is present in more than 130 countries through a network of 4500 service and sales points.

Country-specific regulations are to be observed upon attachment.



Dimensions may vary. Subject to technical changes, errors and translation mistakes.

KP-SKM8/18TM1+E, 10/11

www.palfinger.com